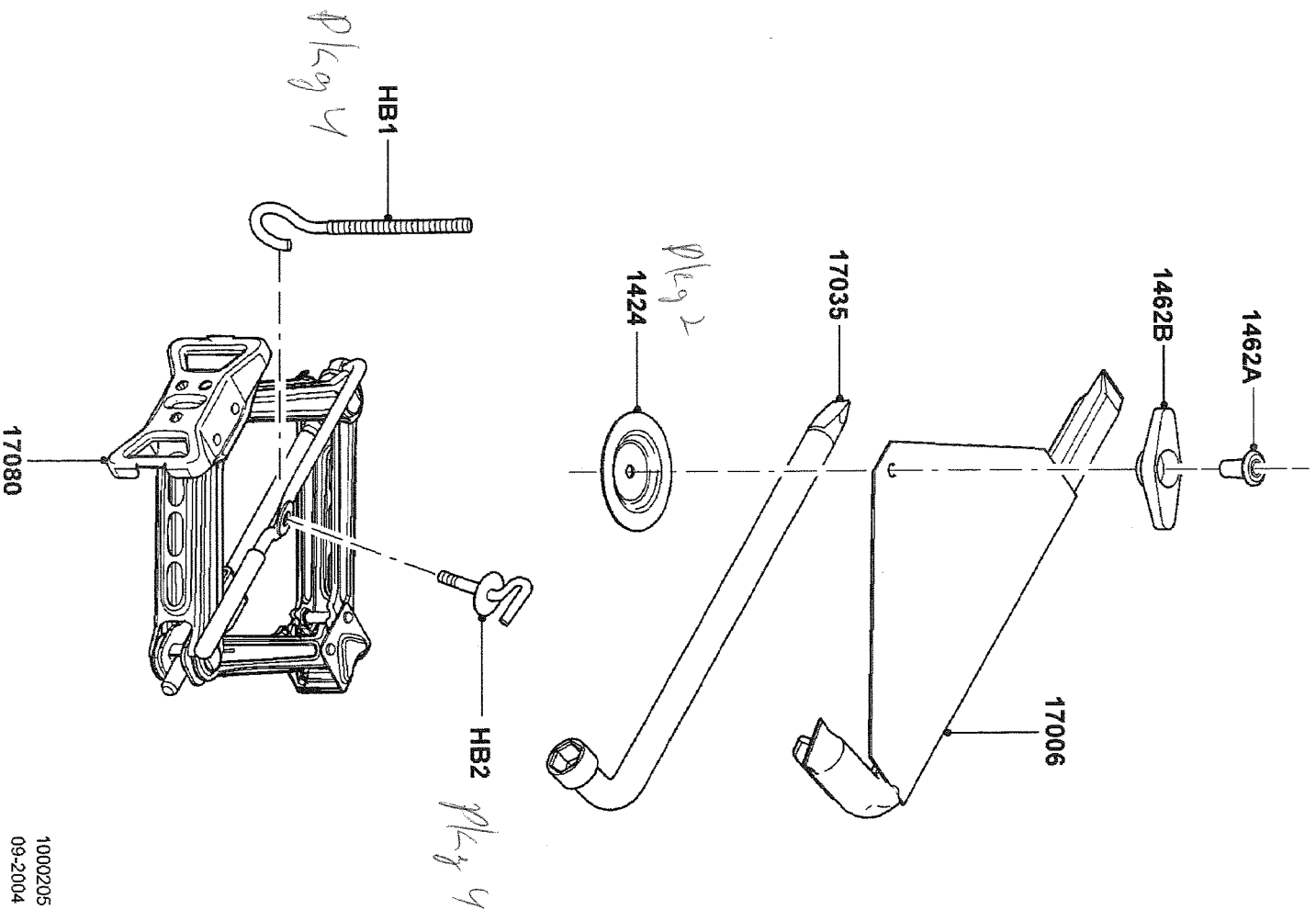


# 2011 ZF (Mustang (2005/)) GCAT

1 - General Information  
Emergency Equipment and Appearance Aids  
TOOLS (09/07/04...)



© Copyright 2004 - 2005, Ford Motor Company Limited

1000205  
09-2004  
ZF  
A0125845-03