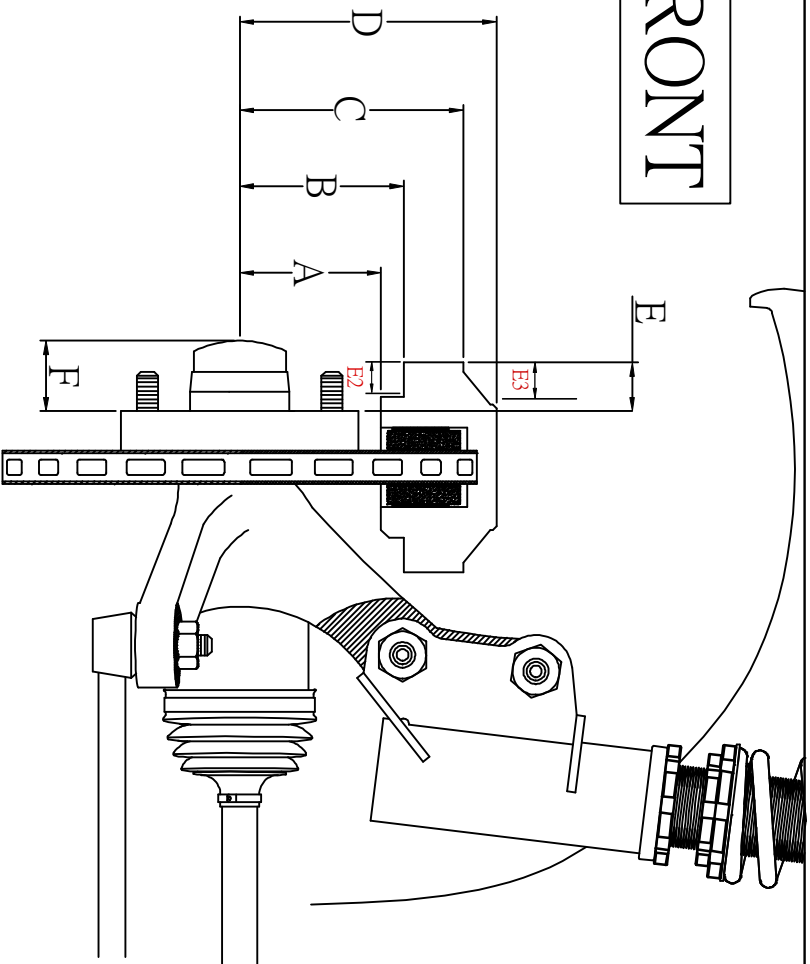


FRONT



- A. Distance between Hub center point to bottom edge of caliper.
- B. Distance between Hub center point to near edge of outward face of caliper.
- C. Distance between Hub center point to far end edge of outward face of caliper.
- D. Distance between Hub center point to the top edge of caliper.
- E. The distance of caliper over the hub mounting surface.

TYPICALLY OPPOSING PISTON CALIPER ONLY

E2. The distance of the recess from the face of the caliper. (inner)

TYPICALLY OPPOSING PISTON CALIPER ONLY

E3. The distance of the recess from the face of the caliper. (outer)

F. Protrusion of drive shaft over hub mounting surface.

A. _____ 102 _____ mm

B. _____ 127 _____ mm

C. _____ 162 _____ mm

D. _____ 181 _____ mm

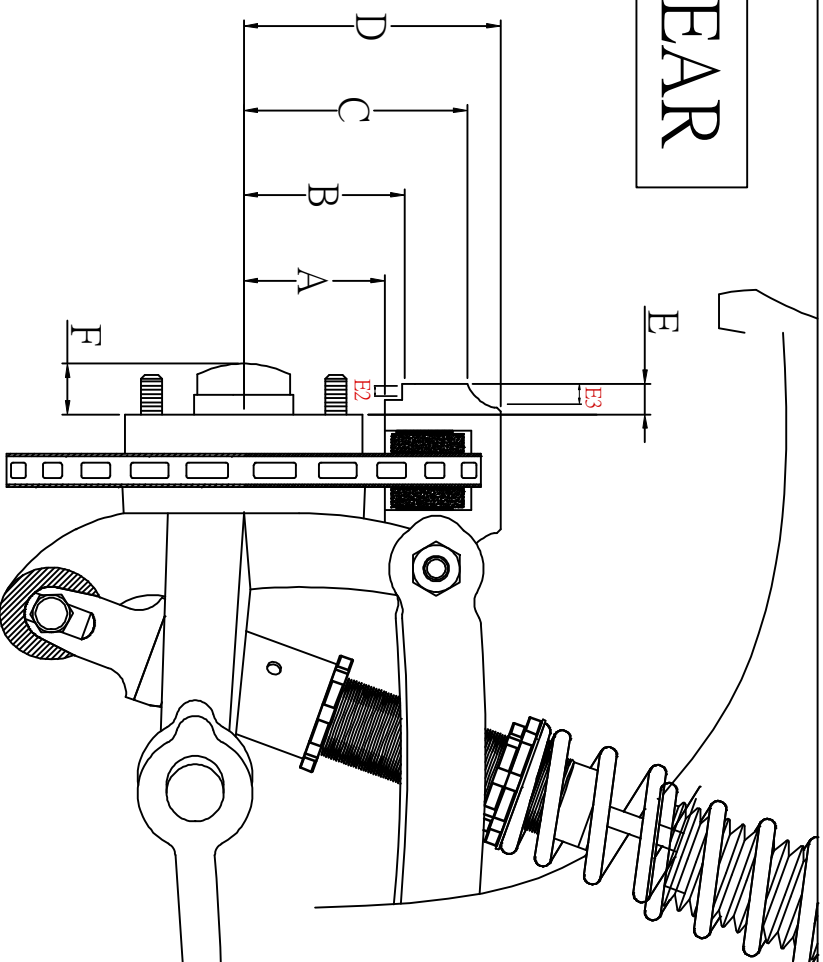
E. _____ 45 _____ mm

E2. _____ 0 _____ mm

E3. _____ 19 _____ mm

F. _____ 26 _____ mm

REAR



- A. Distance between Hub center point to bottom edge of caliper.
- B. Distance between Hub center point to near edge of outward face of caliper.
- C. Distance between Hub center point to far end edge of outward face of caliper.
- D. Distance between Hub center point to the top edge of caliper.
- E. The distance of caliper over the hub mounting surface.

TYPICALLY OPPOSING PISTON CALIPER ONLY

E2. The distance of the recess from the face of the caliper. (inner)

TYPICALLY OPPOSING PISTON CALIPER ONLY

E3. The distance of the recess from the face of the caliper. (outer)

F. Protrusion of drive shaft over hub mounting surface.

A. _____ 100 _____ mm

B. _____ 100 _____ mm

C. _____ 152 _____ mm

D. _____ 165 _____ mm

E. _____ 0 _____ mm

E2. _____ 0 _____ mm

E3. _____ 0 _____ mm

F. _____ 6.5 _____ mm