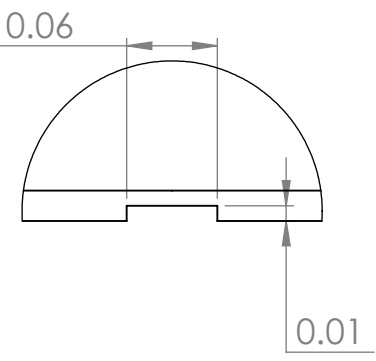


DETAIL C  
SCALE 8:1



[3]  
0.118 OFFSET FROM CENTER AXIS

ALIGNMENT GROOVE TO BE MACHINED  
ALONG AXIS OF M12 THREAD OFFSET

OFFSET FOR M12X1.75 THREADED HOLE

[1]  
0.039 OFFSET FROM CENTER AXIS

8 7 6 5 4 3 2 1

D

D

C

C

B

B

A

A

8 7 6 5 4 3 2 1